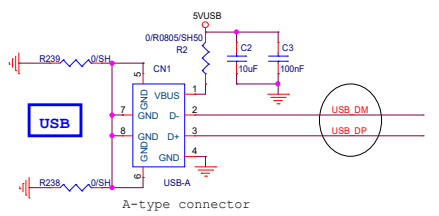
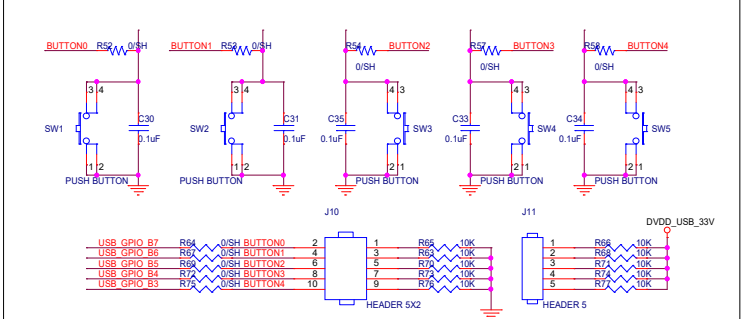
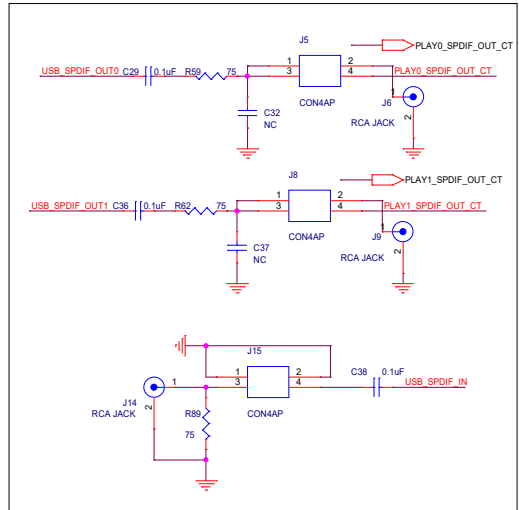
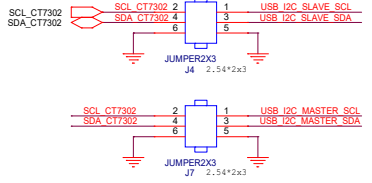
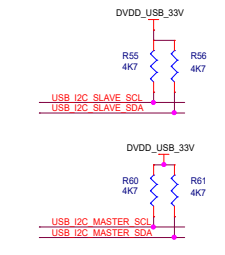
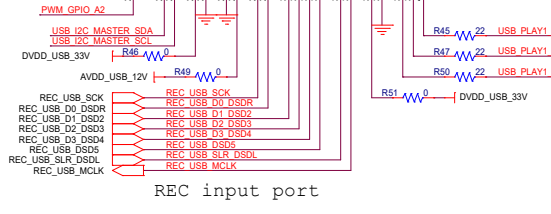
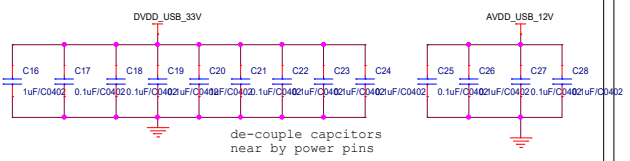
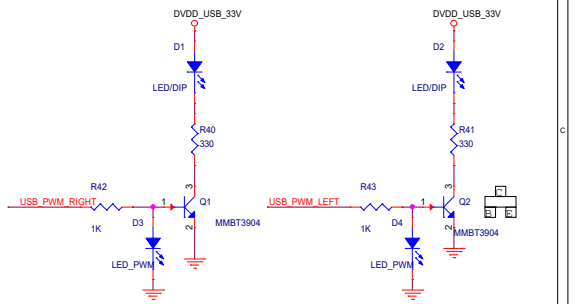
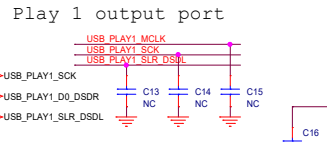
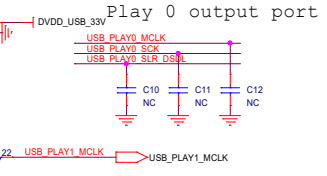
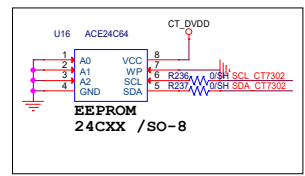
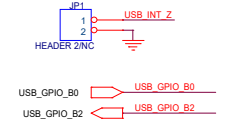
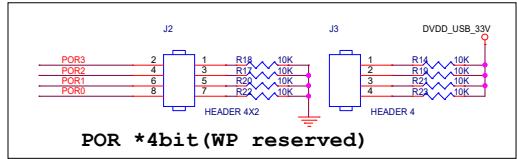
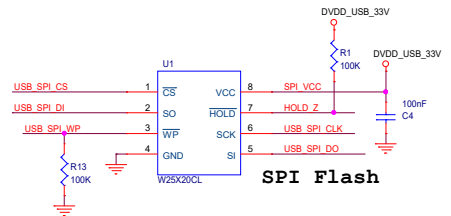
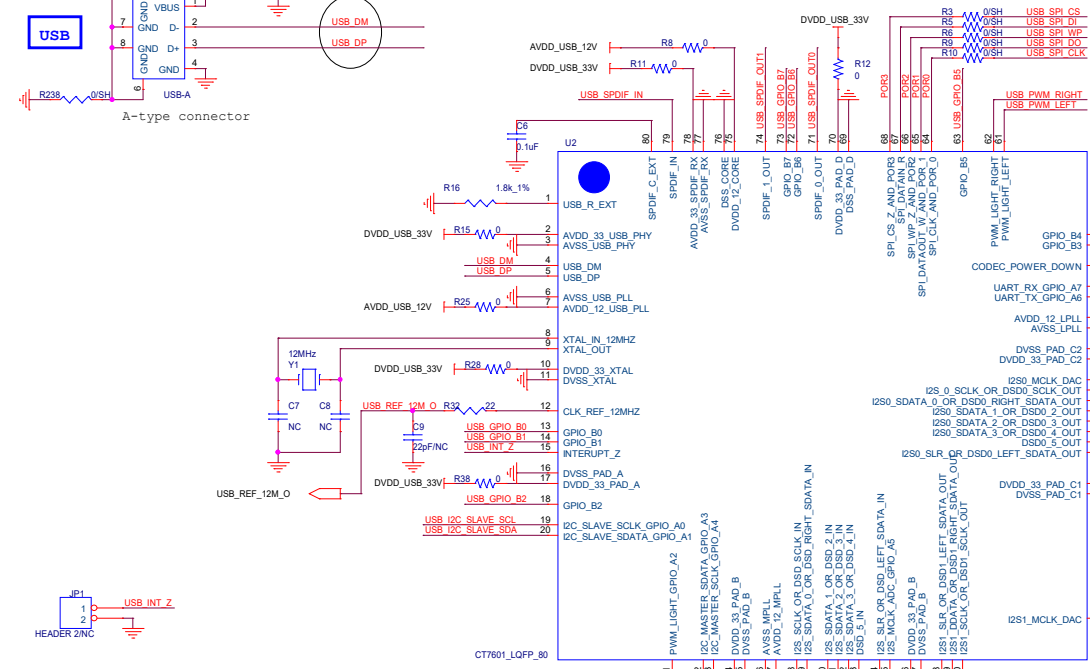


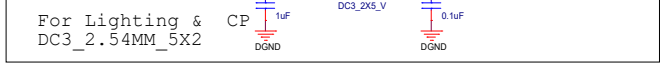
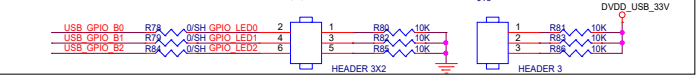
Title		
<BLOCK DIAGRAM>		
Size A	Document Number	Rev
	<Doc>	<RevCode>
Date:	Tuesday, December 22, 2020	Sheet 1 of 8



CT7601\_LQFP\_80Pin

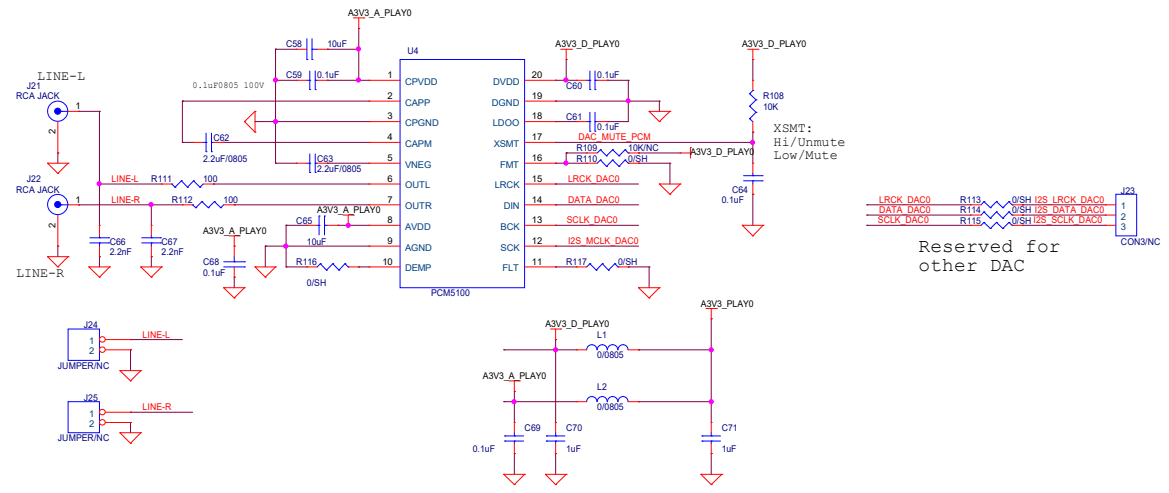
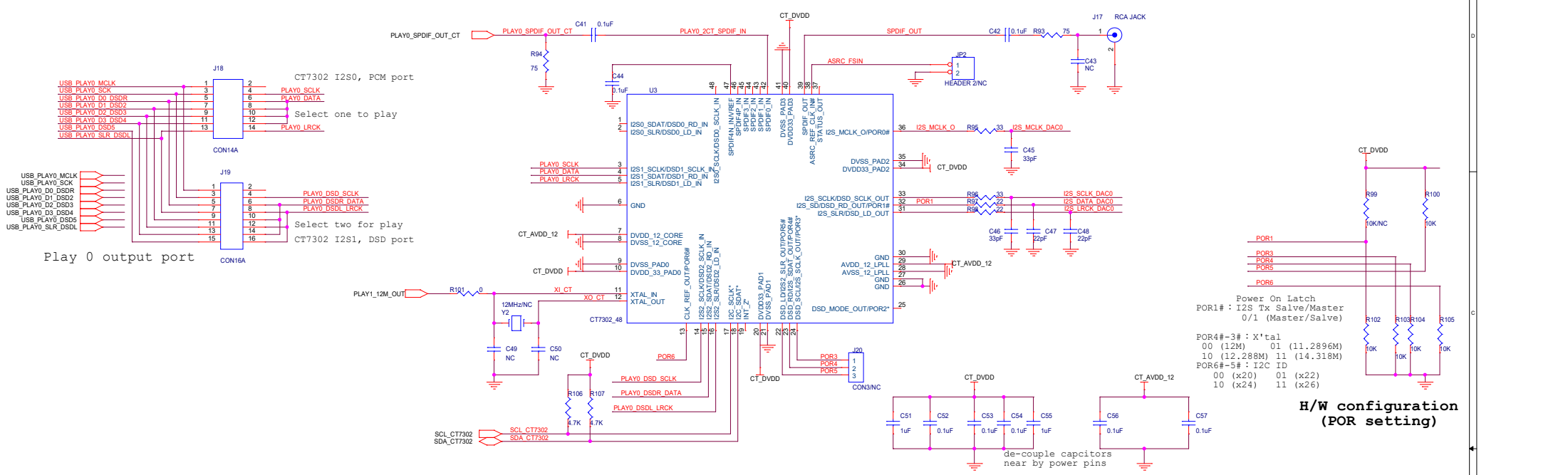


GPIO\_B \*8bit

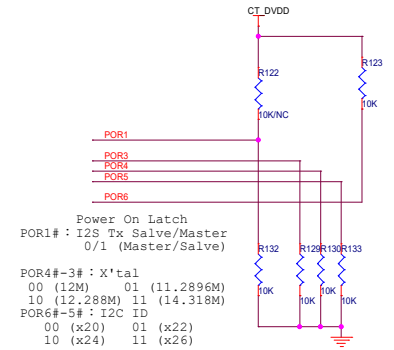
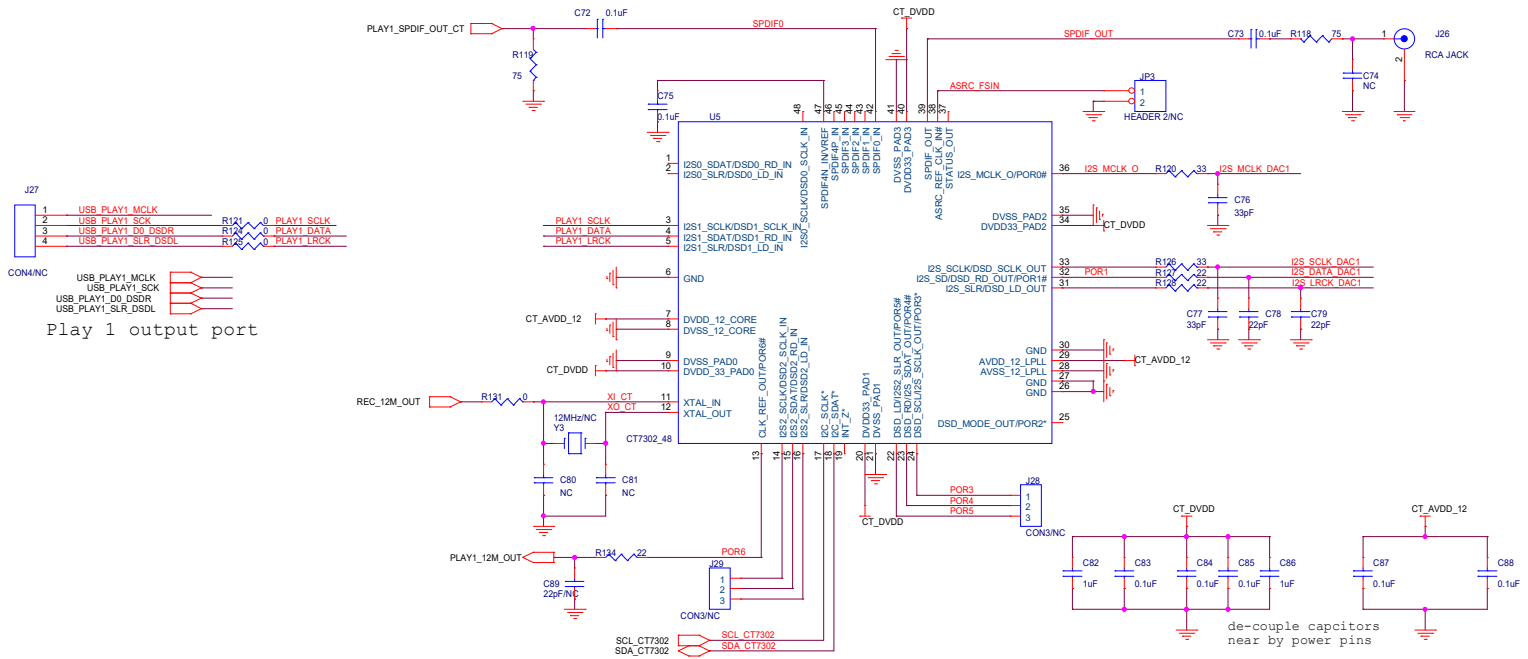


Title	<CT7601_LQFP_80pin>		Rev	<Rev>
Size	Document Number			
C	<Doc>			
Date:	Tuesday, December 22, 2020	Sheet	2	of 8

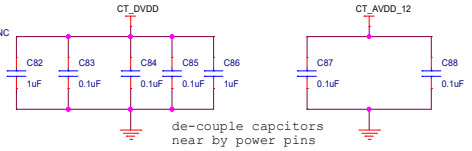
# CT7302\_PLAY0\_0x22



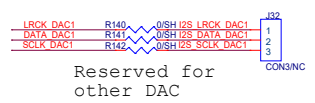
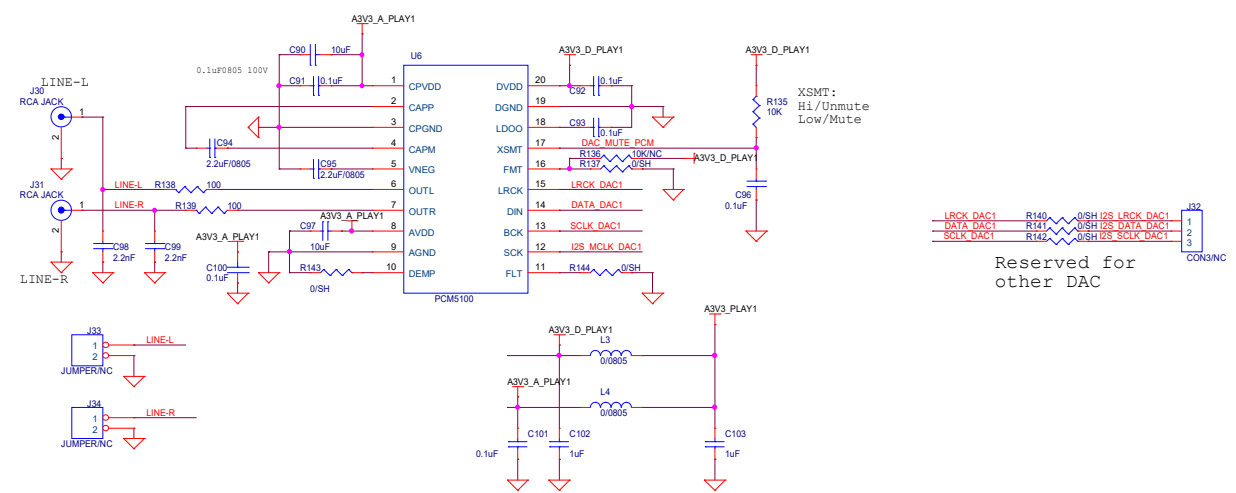
CT7302\_PLAY1\_0x24



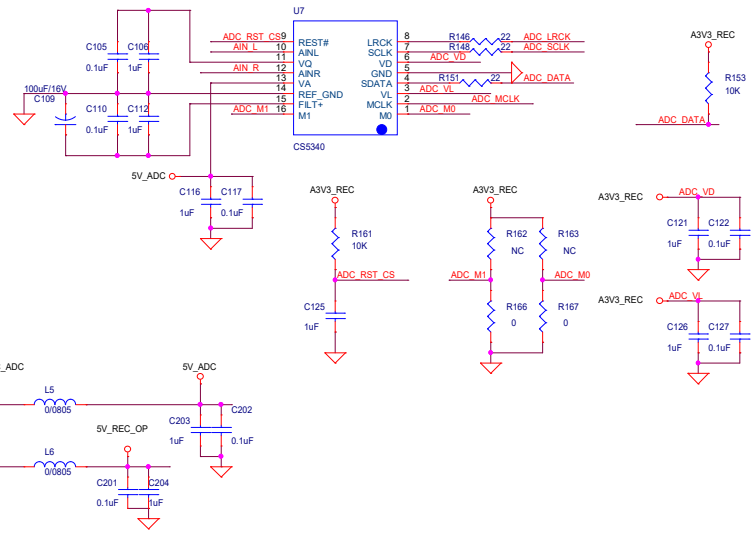
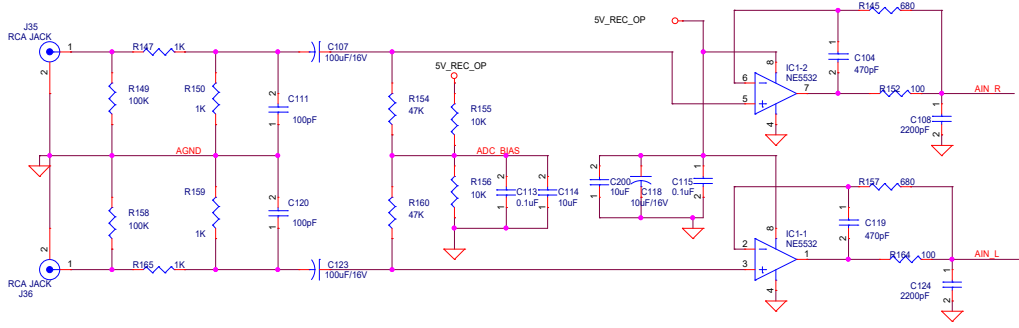
H/W configuration (POR setting)



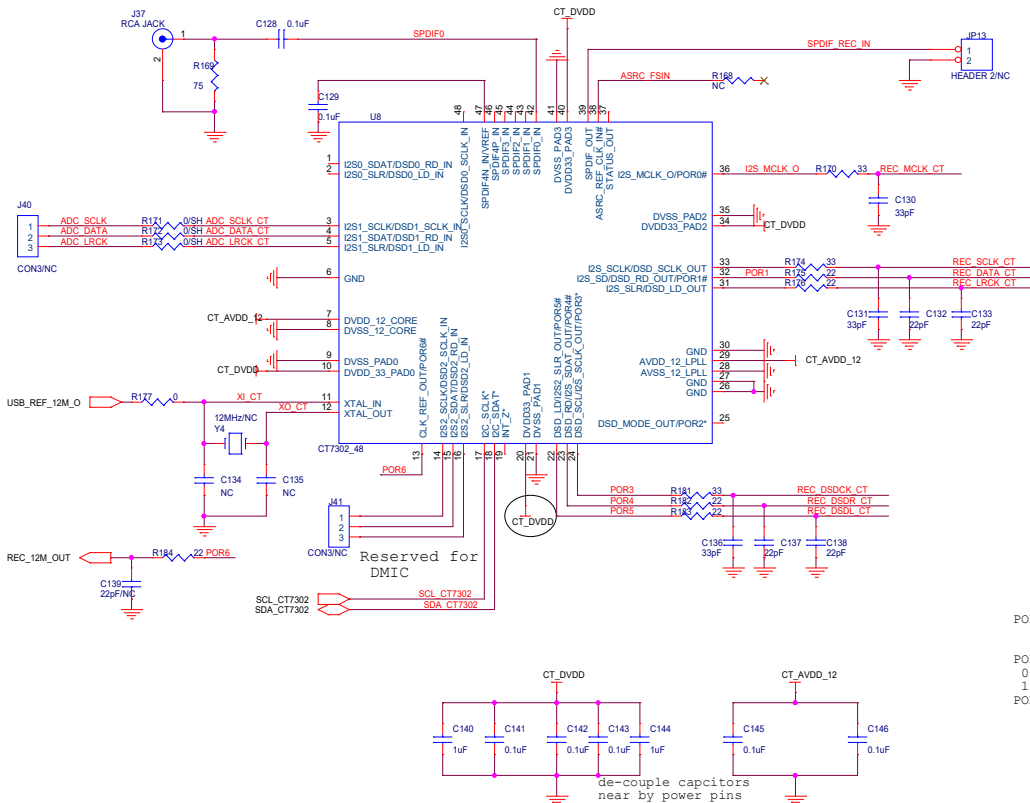
de-couple capacitors near by power pins



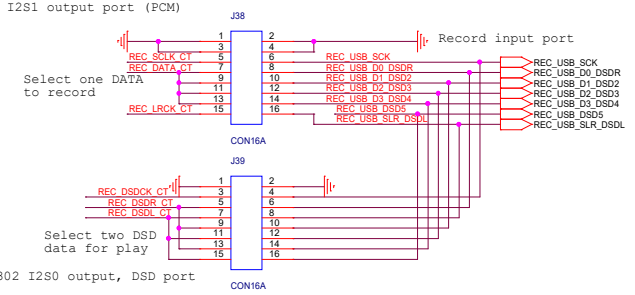
Reserved for other DAC



**CT7302\_REC\_0x26**



**CT7302 I2S1 output port (PCM)**

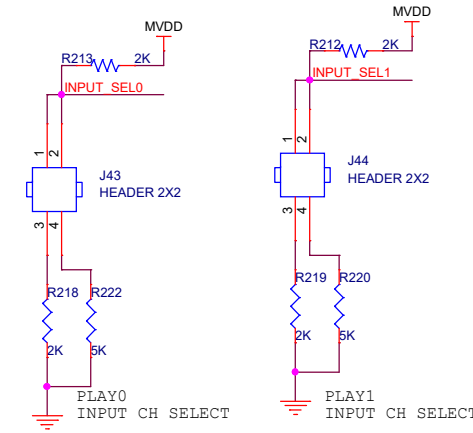
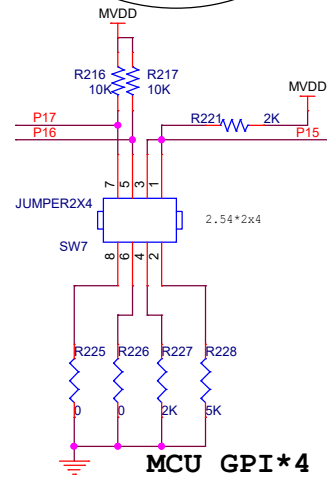
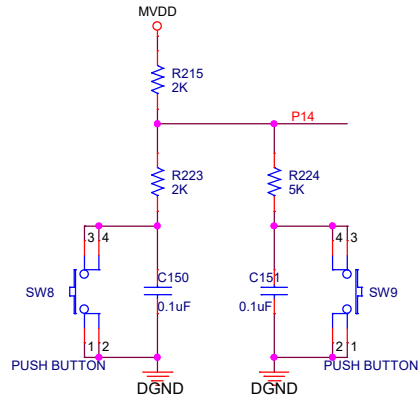
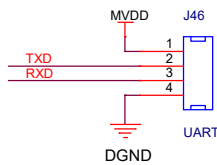
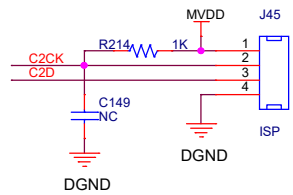
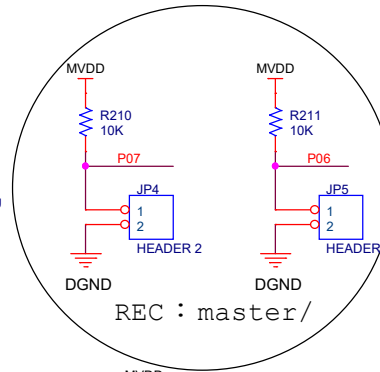
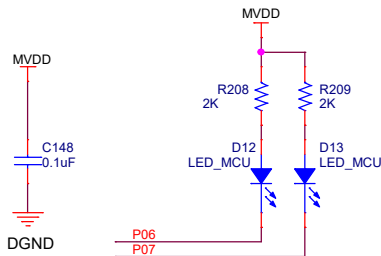
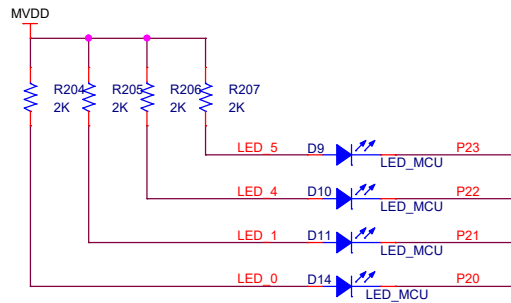
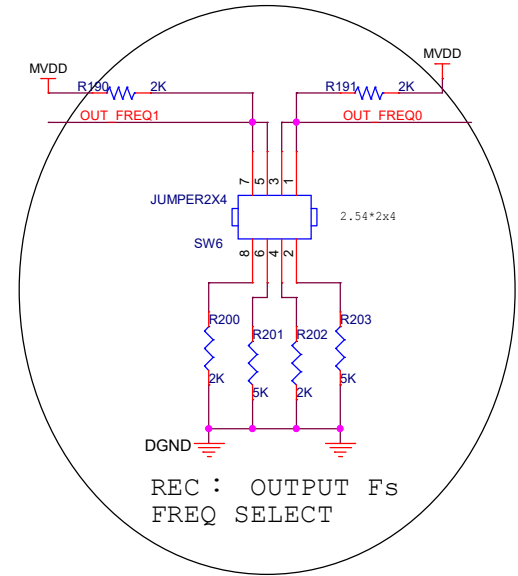
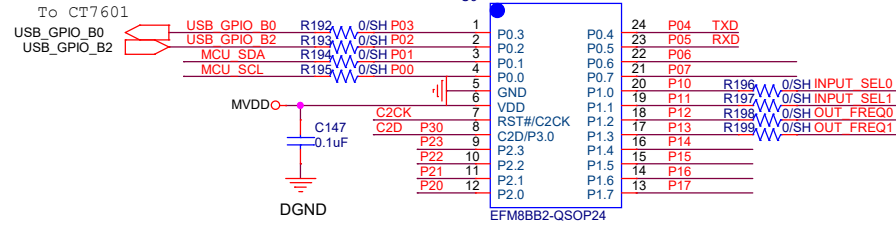
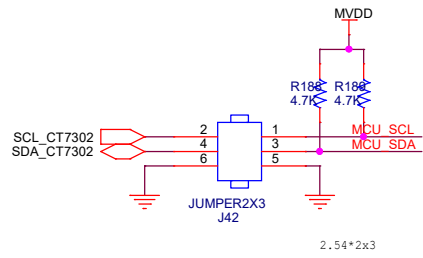


Power On Latch  
 POR1# : I2S Tx Salve/Master  
 0/1 (Master/Salve)  
 POR4#-3# : X'tal  
 00 (12M) 01 (11.2896M)  
 10 (12.288M) 11 (14.318M)  
 POR6#-5# : I2C ID  
 00 (x24) 01 (x22)  
 10 (x24) 11 (x26)

**H/W configuration (POR setting)**

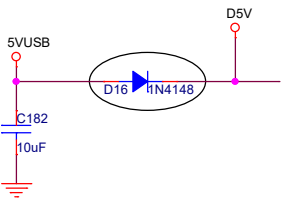
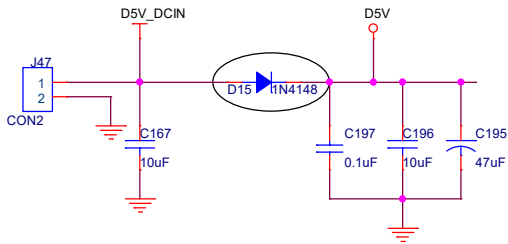
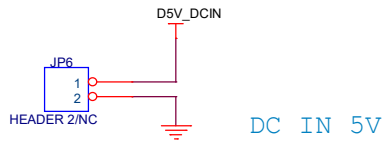
File	<ADC_CT7302_REC>		
Size	Document Number		Rev
C	<Dec>		<Rev Code>
Date:	Tuesday, December 22, 2020	Sheet	5 of 8

# MCU EFM8BB2-QSOP24

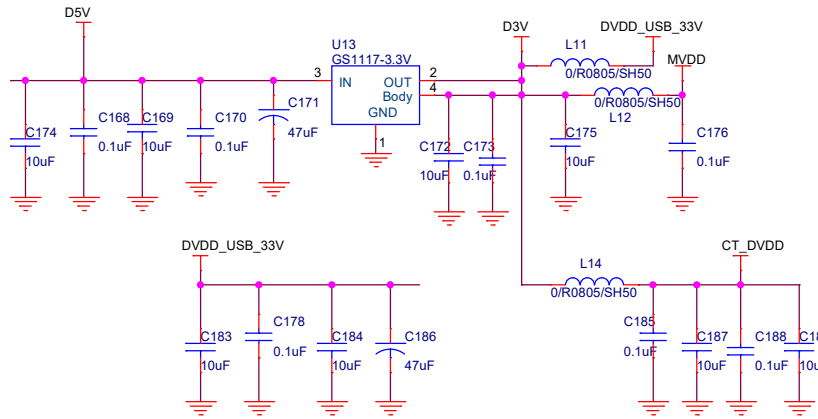
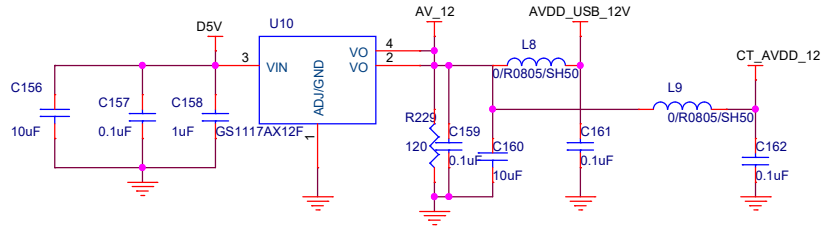


**PLAY : CT7302 I/P  
channel Select**

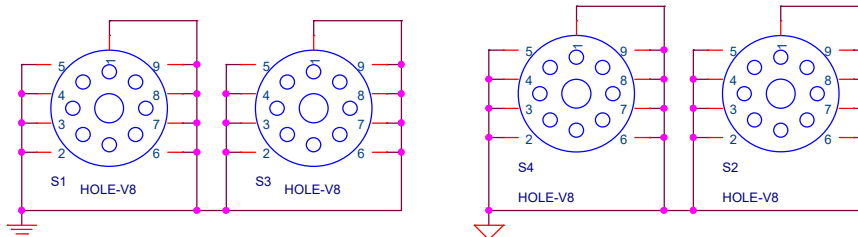
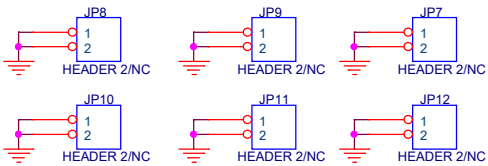
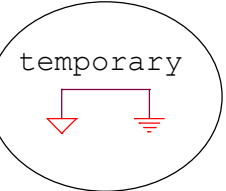
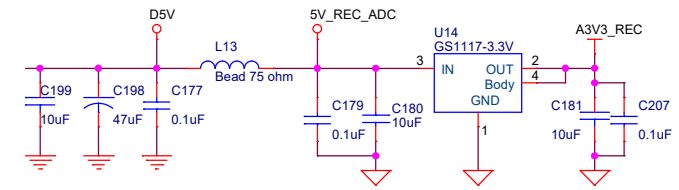
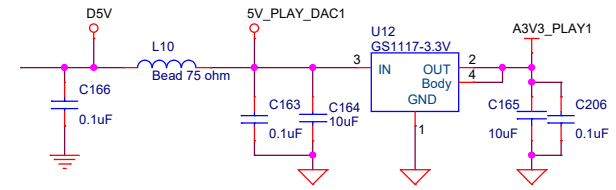
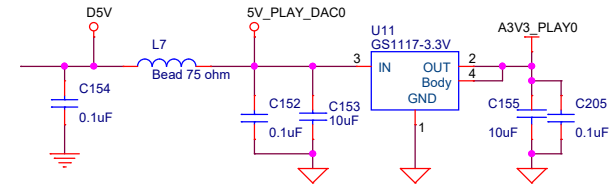
Title		
<MCU>		
Size	Document Number	Rev
B	<Doc>	<RevCode>
Date:	Tuesday, December 22, 2020	Sheet 6 of 8



**USB Power (5V\_USB)  
1N4248 CURRENT 0.45A!!**



**Power for CT7601 & CT7302s**



Title		
<POWER>		
Size	Document Number	Rev
B	<Doc>	<RevCode>
Date:	Tuesday, December 22, 2020	Sheet 7 of 8