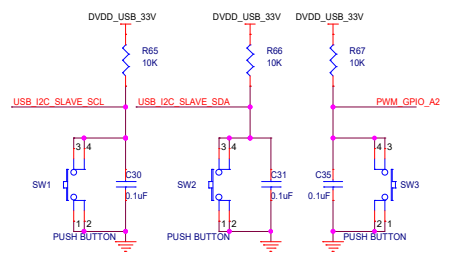
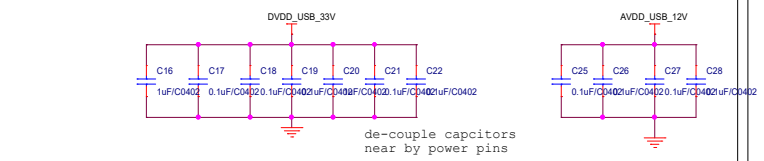
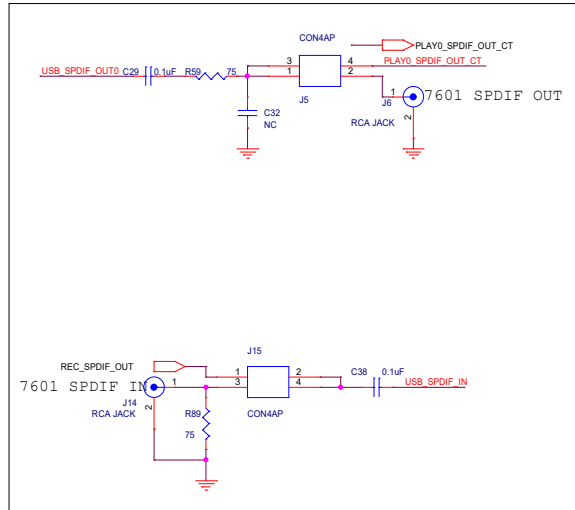
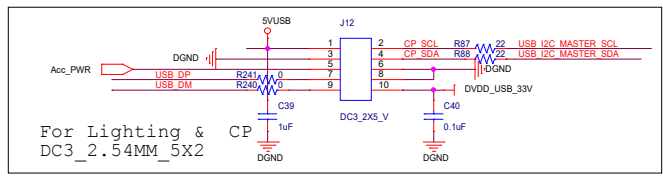
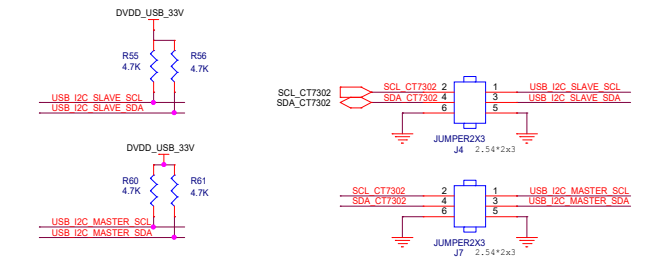
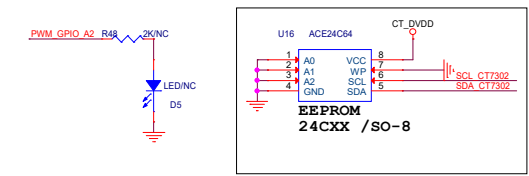
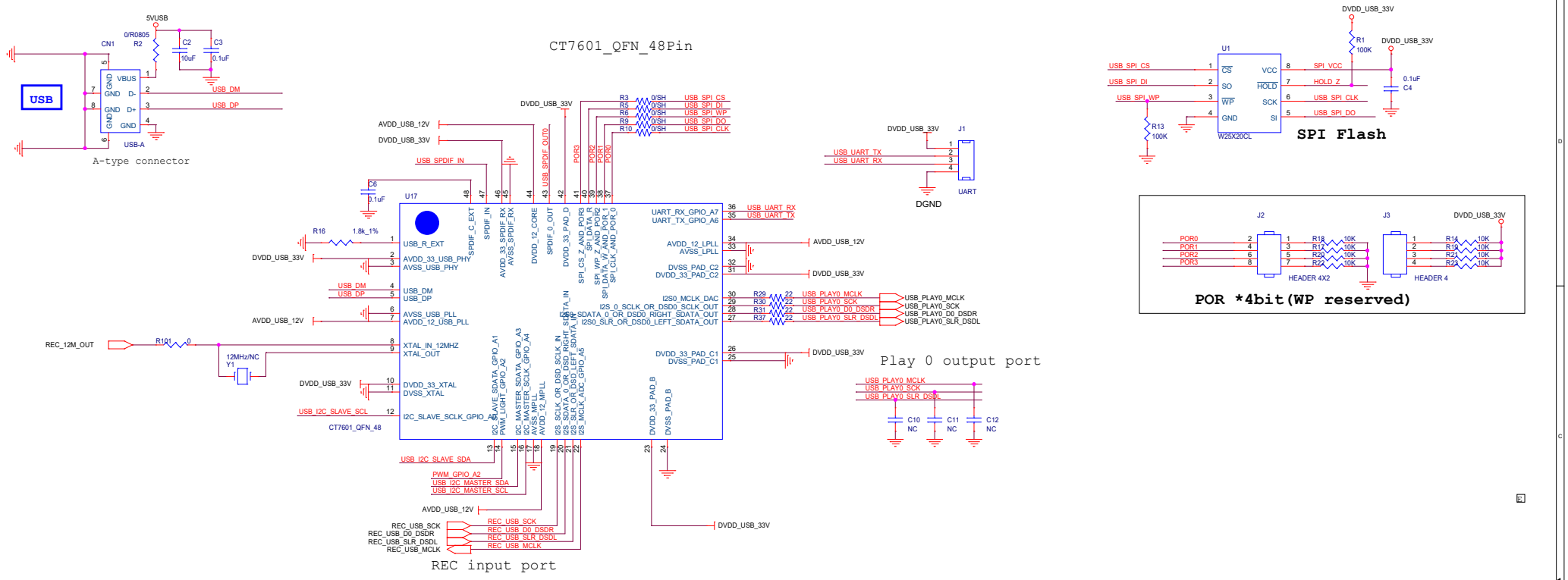


Title		
<BLOCK DIAGRAM>		
Size	Document Number	Rev
A	<Doc>	<RevCode>
Date:	Thursday, September 08, 2016	Sheet 1 of 7

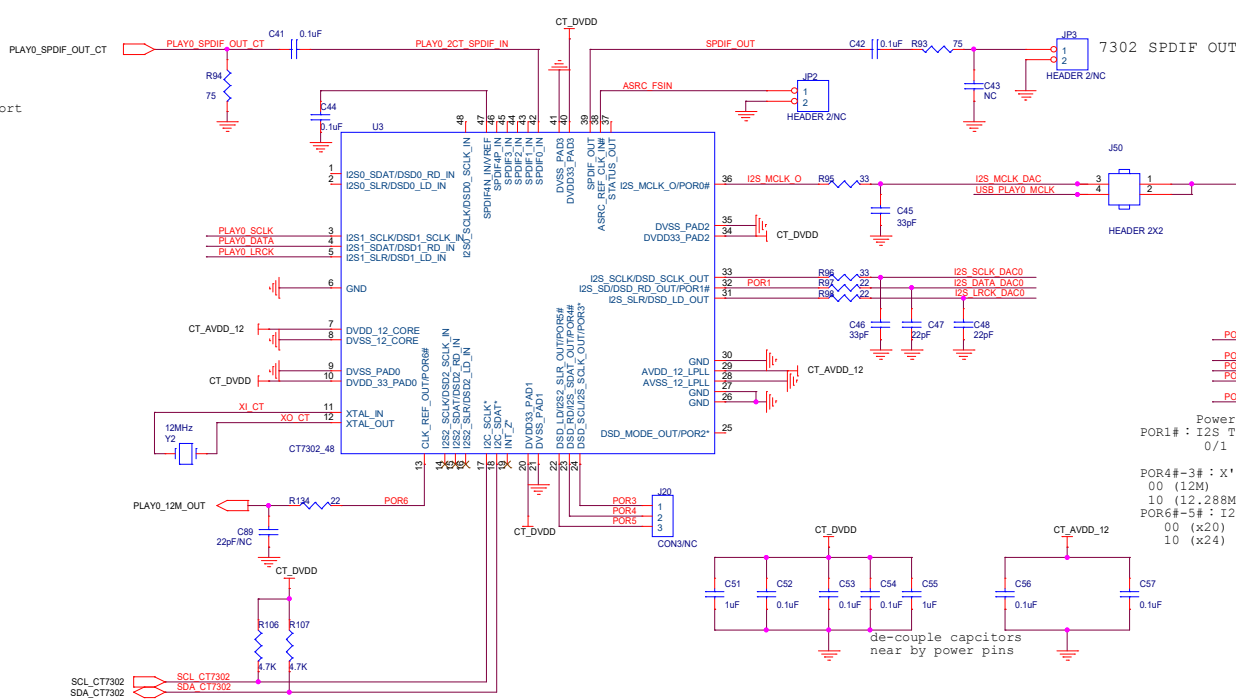
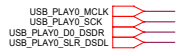
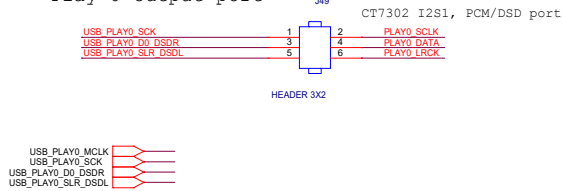


VOL- Start VOL+

Title		<CT7601_LOFP_48pin>	Rev	<Rev>
Size	Document Number			
C	<Doc>			
Date:	Friday, September 23, 2016	Sheet	2	of 7

# CT7302\_PLAY0\_0x22

Play 0 output port

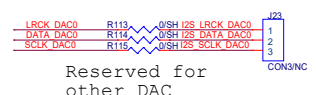
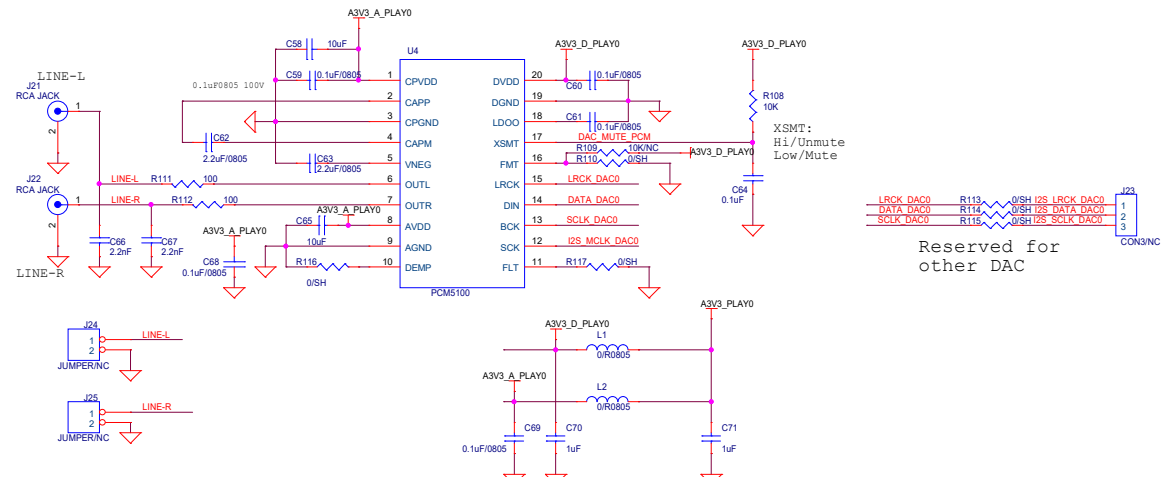
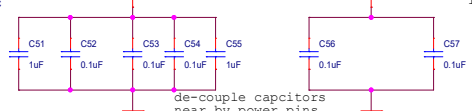


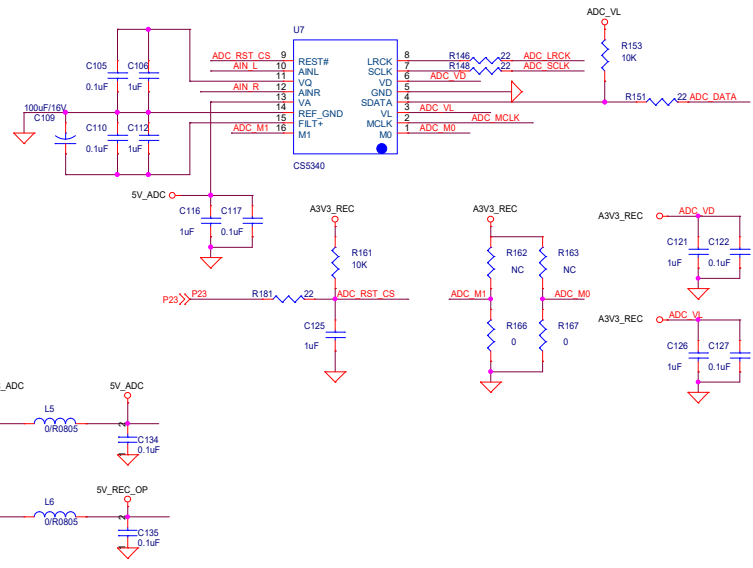
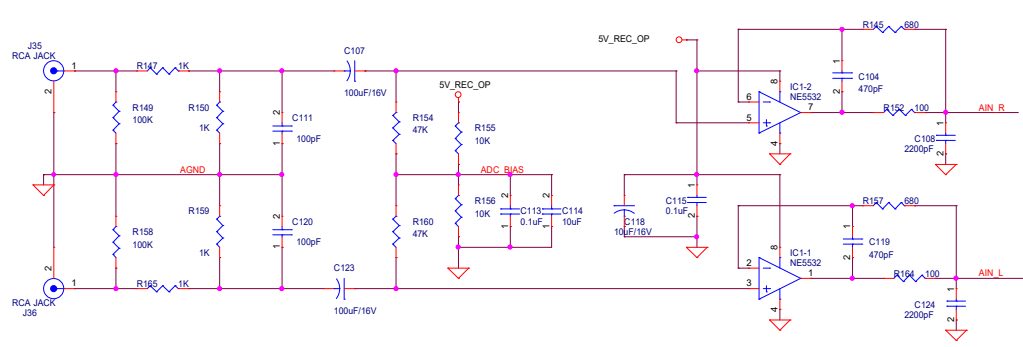
Power On Latch  
POR1# : I2S Tx Salve/Master  
0/1 (Master/Salve)

POR4#-3# : X'tal  
00 (12M) 01 (11.2896M)  
10 (12.288M) 11 (14.318M)

POR6#-5# : I2C ID  
00 (x20) 01 (x22)  
10 (x24) 11 (x26)

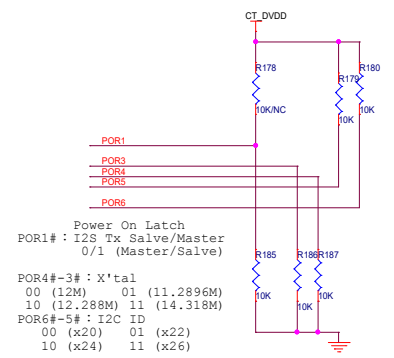
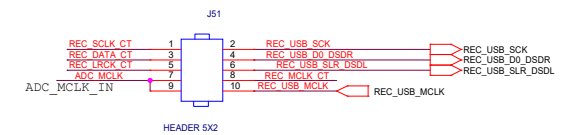
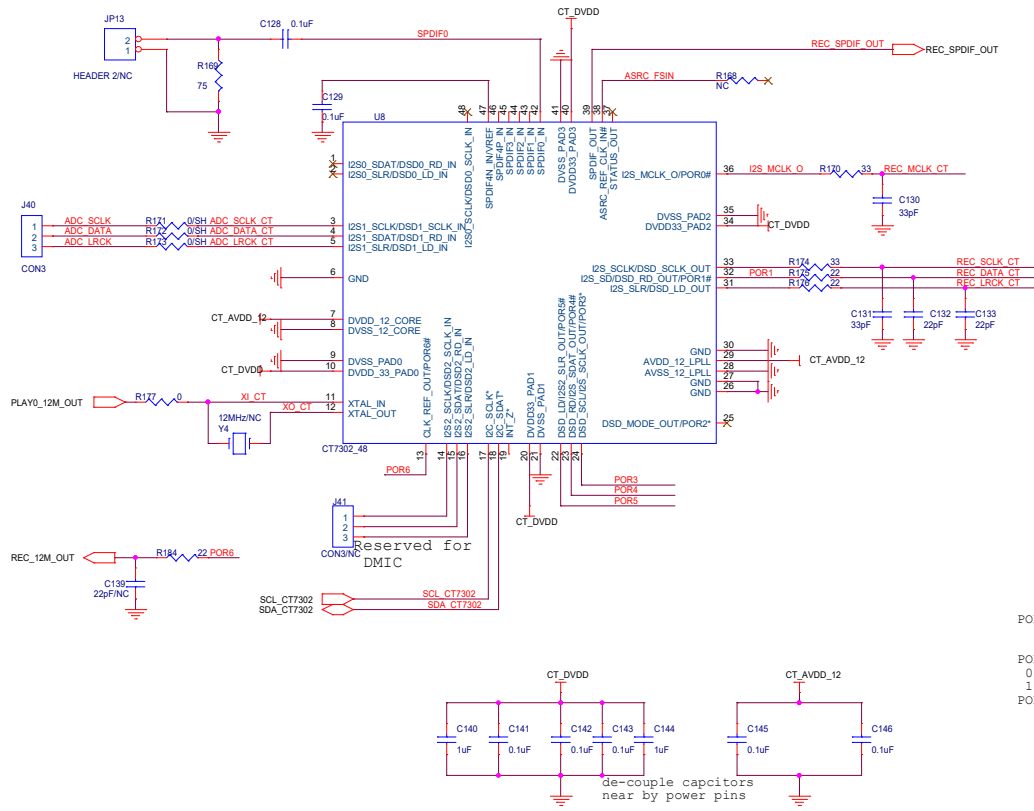
H/W configuration  
(POR setting)





### CT7302\_REC\_0x26

CT7302 I2S1 output port (PCM/DSD)

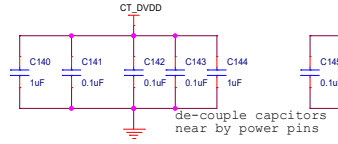


Power On Latch  
 POR1# : I2S Tx Salve/Master  
 0/1 (Master/Salve)

POR4#-3# : X'tal  
 00 (12M) 01 (11.2896M)  
 10 (12.288M) 11 (14.318M)

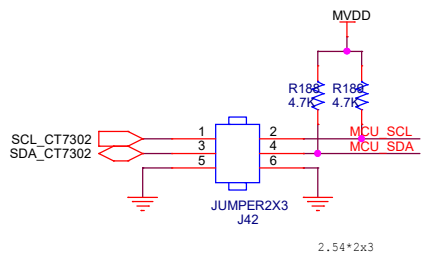
POR6#-5# : I2C ID  
 00 (x20) 01 (x22)  
 10 (x24) 11 (x26)

### H/W configuration (POR setting)

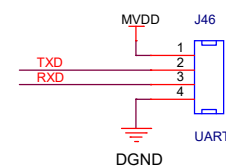
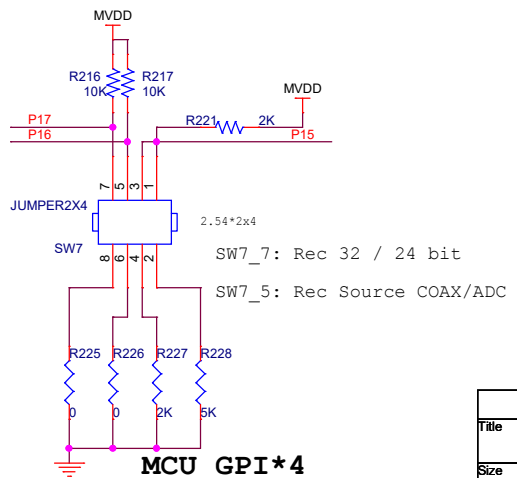
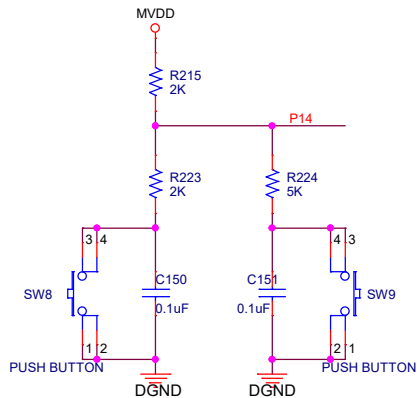
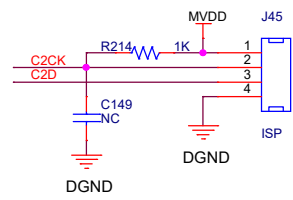
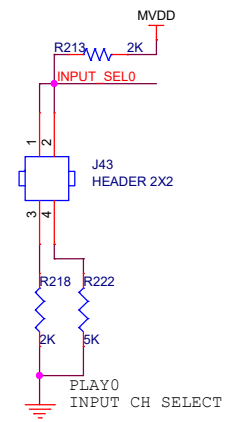
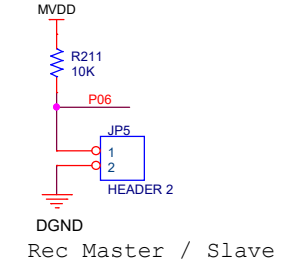
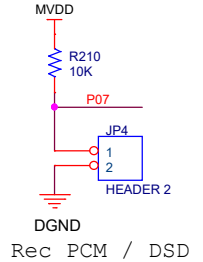
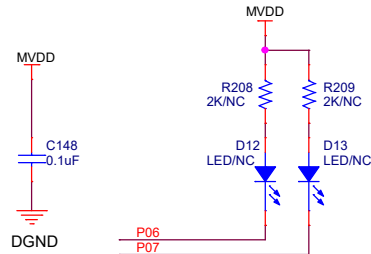
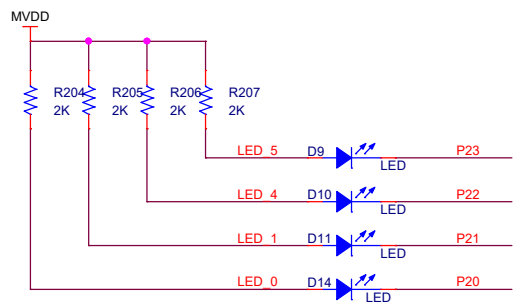
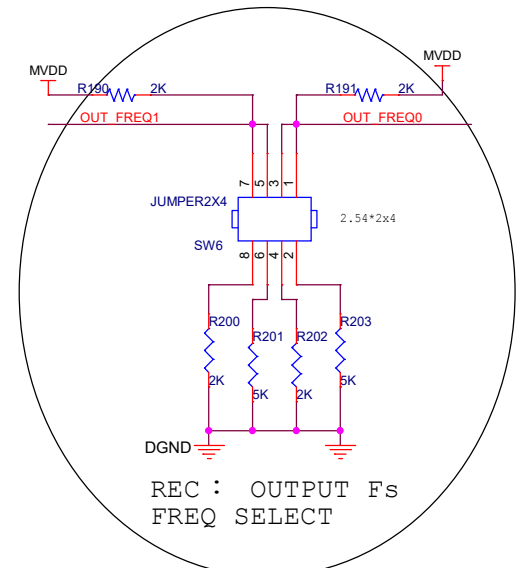
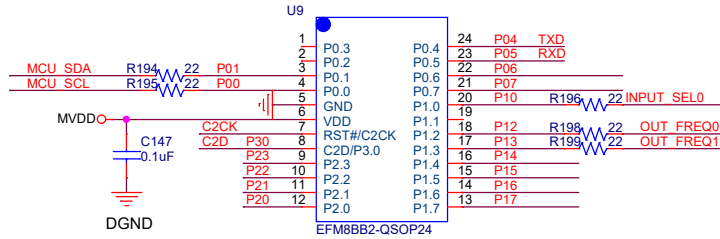


de-couple capacitors near by power pins

File	<ADC_CT7302_REC>		
Size	Document Number		Rev
C	<Doc>		<Rev Code>
Date	Monday, September 26, 2016	Sheet	4 of 7

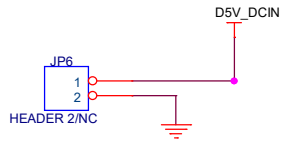


### MCU EFM8BB2-QSOP24

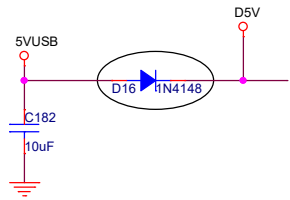
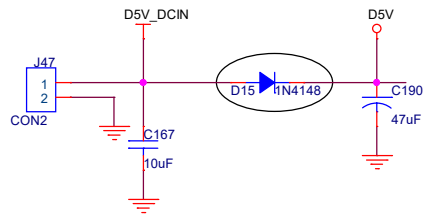


**PLAY : CT7302 I/P  
channel Select**

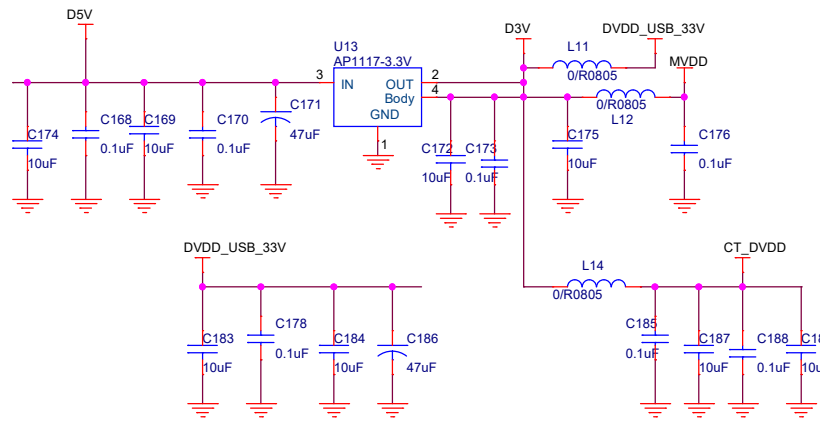
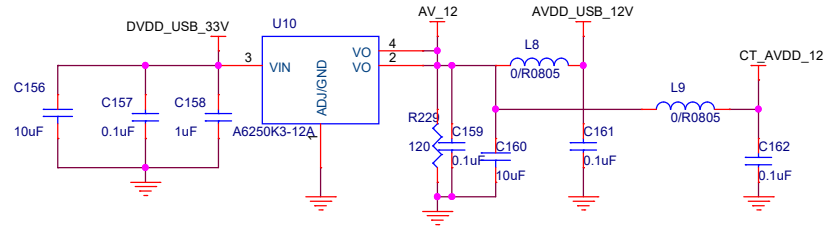
Title		
<MCU>		
Size	Document Number	Rev
B	<Doc>	<RevCode>
Date:	Monday, September 19, 2016	Sheet 5 of 7



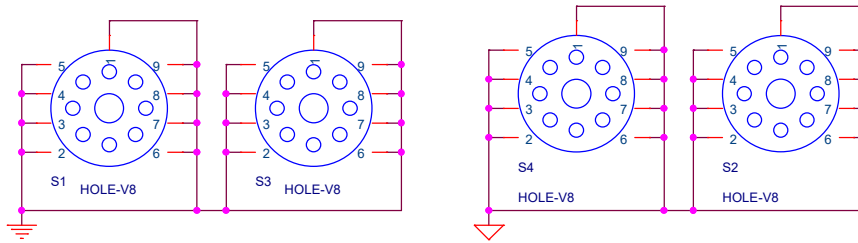
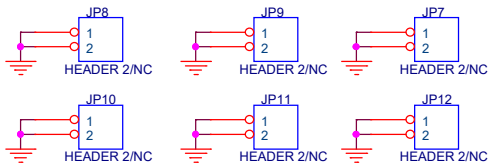
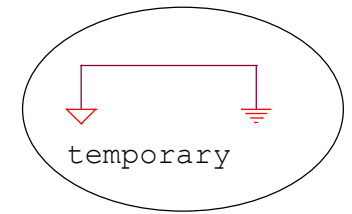
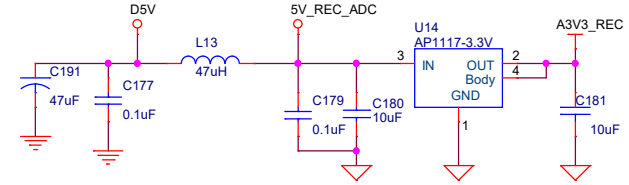
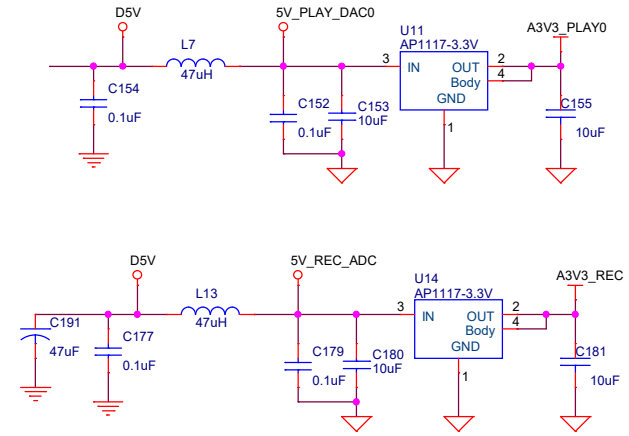
DC IN 5V



**USB Power (5V\_USB)  
1N4248 CURRENT 0.45A!!**



**Power for CT7601 & CT7302s**



Title		
<POWER>		
Size	Document Number	Rev
B	<Doc>	<RevCode>
Date:	Tuesday, September 20, 2016	Sheet 6 of 7